



# ADVANCED SITUATIONAL AWARENESS DAY & NIGHT SYSTEMS FOR ARMY APPLICATIONS

**The WOLFEYE VISION Day & Night Camera Systems are designed for APC, MBT, SPHS and other special purpose military vehicles. From replacement to high modularity supports with a large number of combinations connected via Ethernet according to NGVA standards.**

EUROATLAS has developed a new Advanced Situational Awareness System (ASAS) platform for Degraded Visual Environments (DVE). This innovative modular vision system can be integrated in various versions of Main Battle Tank(s), Armored Personnel Carrier(s) (APC) and other special purpose vehicles.

It consists of state-of-the-future sensors and electronic components designed with the latest technology. The components are selected to meet the requirements of MIL-STD 810 and MIL-STD 1275 equipment.

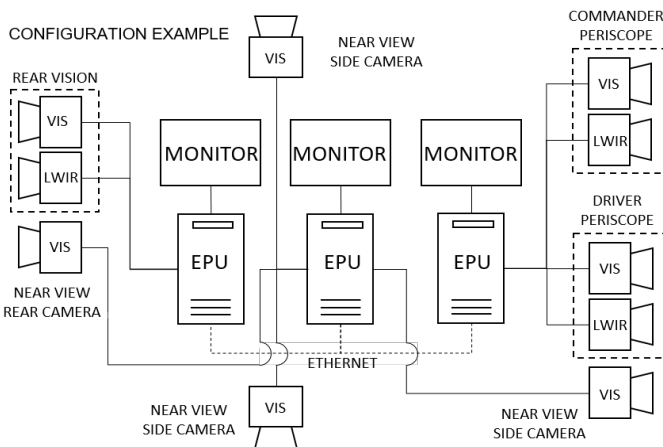
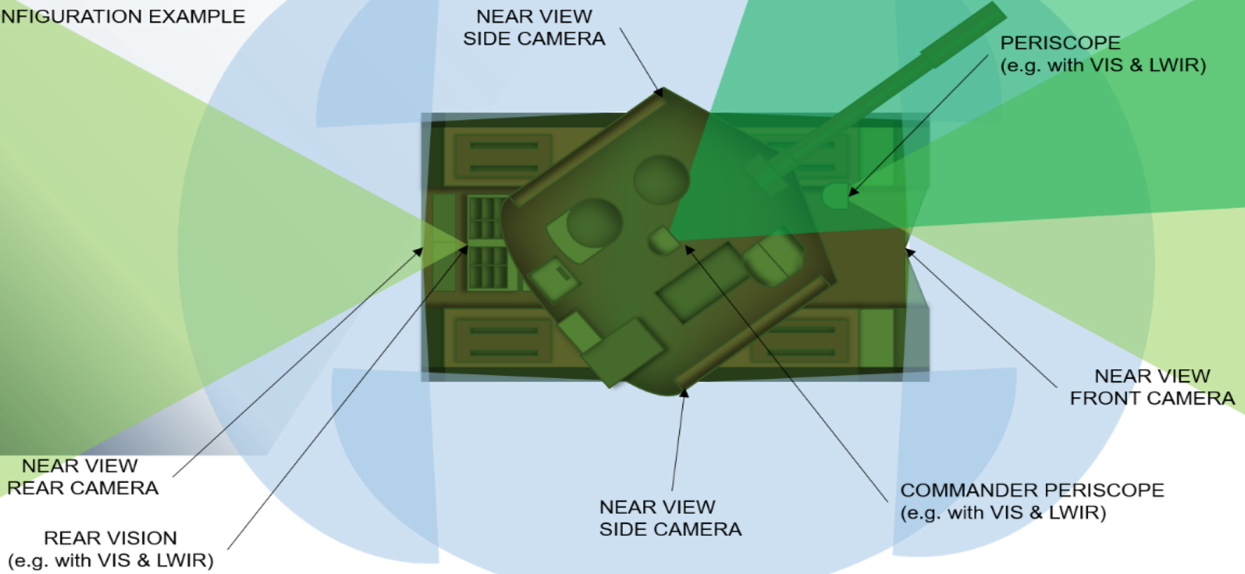
The electronics and sensors are housed in a modular body which is protection class IP68K. The system is extremely robust, reliable, proven, and well protected against harsh environmental conditions like gun fire shocks, vibrations, high and low temperatures, water, sand and dust. The image processing software enables low latency and has various modular capabilities such as image fusion, image stitching, on screen display, zoom & pan mode and can be extended with further modules and functions. The camera images can be viewed on any connected monitor independently.



## Key features

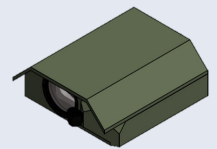
- Modular system
- Lowest latency from glass to glass
- Bird View, 360° HFOV
- Day & Night vision
- Advanced sensor offering
- Image fusion
- Image stitching algorithm
- Tracking capability
- High reliability
- Customized configurations
- 20 years support

## CONFIGURATION EXAMPLE



### Rear Vision Camera Module

- Compact size
- Various sensors available
- Modular scalable



### Monitor Modules with Key Panel

- Ratio: 4:3 or 16:9
- Dimension: 7" / 8,4" / 9" / 10"
- Res.: XGA, WXGA, FHD
- Operating: -40°C to +71°C
- Housing IP65
- Illuminated keys, dimmable
- Detachable and adjustable



### Embedded Processing Unit

- Operating temp: -40 to +70°C
- 4 Input Interfaces
- 1 Monitor interface
- Recording function
- GPIOs for external control
- Fast & robust SLC SSD memory
- Linux operating system
- Communication based on NGVA standard (STANAG 4754)

- Low latency image
- Passive cooling



### Driver and Commander Periscope

- Fast push-pull installation and disassembly
- IP68K with CBNR protection
- Detachable and adjustable monitor
- Operating temp: -40 to +71°C
- Passive system
- Digital image processing with low latency
- Various sensor configurations available

